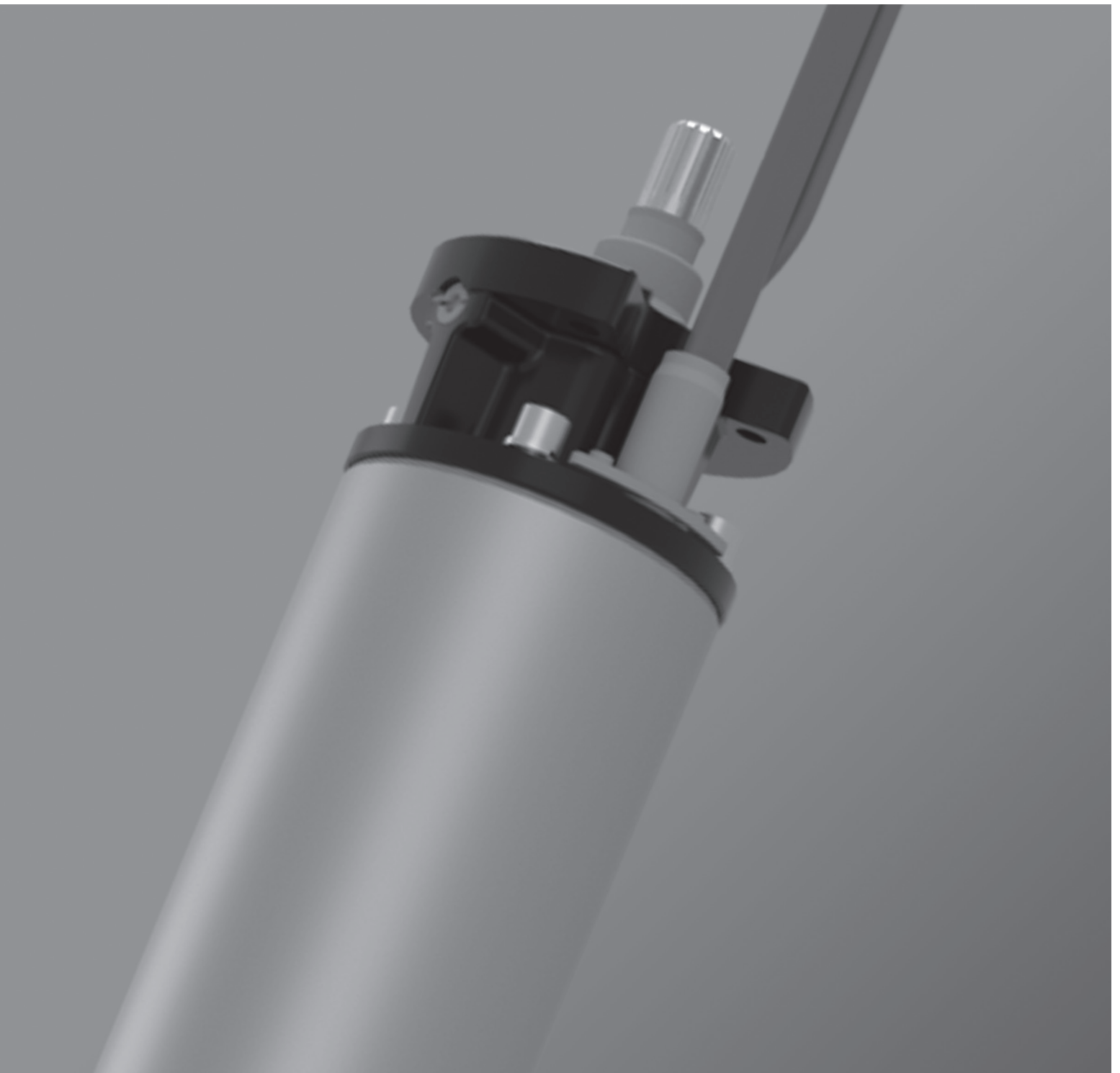


# 6GF HEAVY DUTY

6" SUBMERSIBLE MOTORS - 50 Hz



# 6GF HEAVY DUTY

## 6" SUBMERSIBLE MOTORS



### TECHNICAL DATA

**Maximum operating depth:** 300 m

**Standard flanges:** NEMA 6"

**Maximum number of starts per hour:** 25/h

**Motor protection class:** IP 68

**Motor insulation class:** F

**Cooling flow speed:** min. 0,3 m/s a 35°C

**Max Thrust load:** 50 kN

**Three phase power input:** 3x400V 50 Hz / 3x460V 60 Hz

**Power input tolerance:** +6% / -10%

**Power cable:** 4 m

**Possible type of installation:** vertical

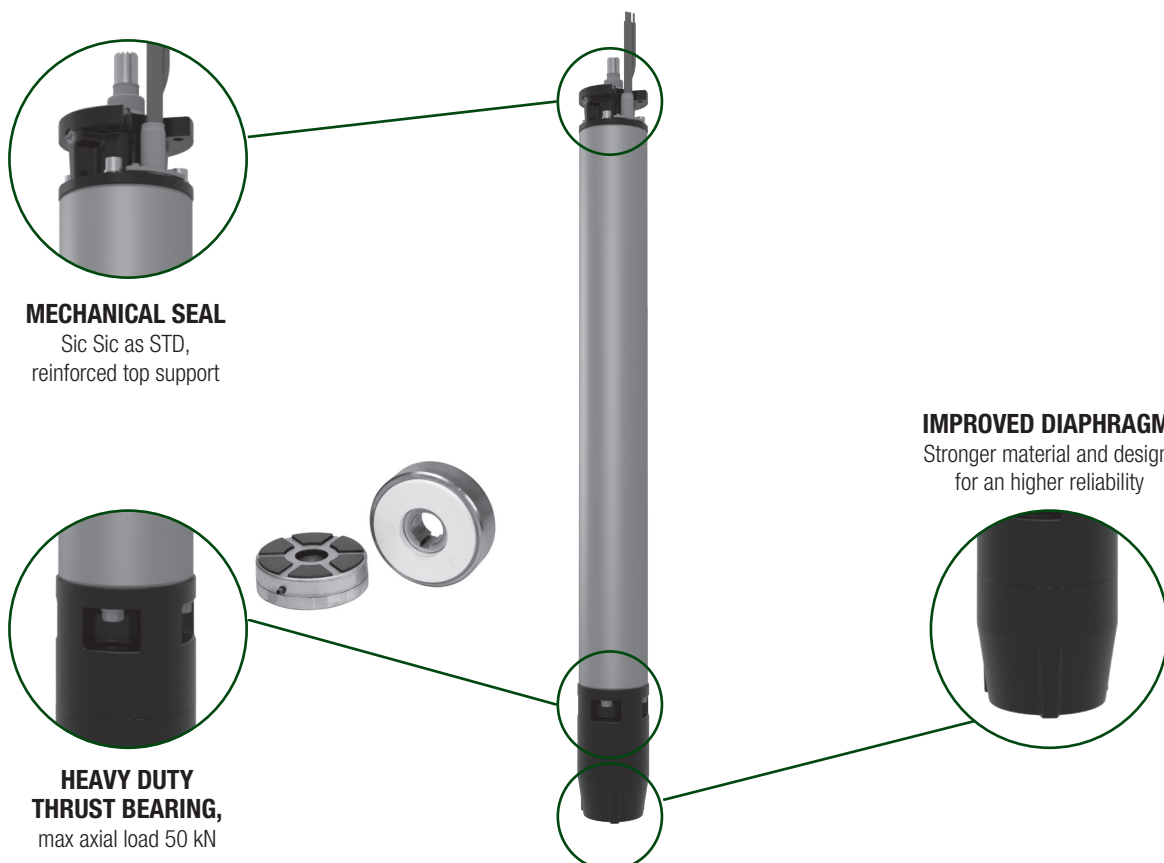
**Special versions on request:** it is available with additional PT100 or PTC temperature sensor. Voltage and power cables of different length.

**Cable certifications:** ACS, WRAS and KTW certified cable

6" canned submersible motor made in AISI 304 and cataphoresis treated cast iron. Resin filled stator. Cooling and lubrication are guaranteed by a mixture of water and glycol. 6GF heavy duty motors are design for very deep borehole installation.

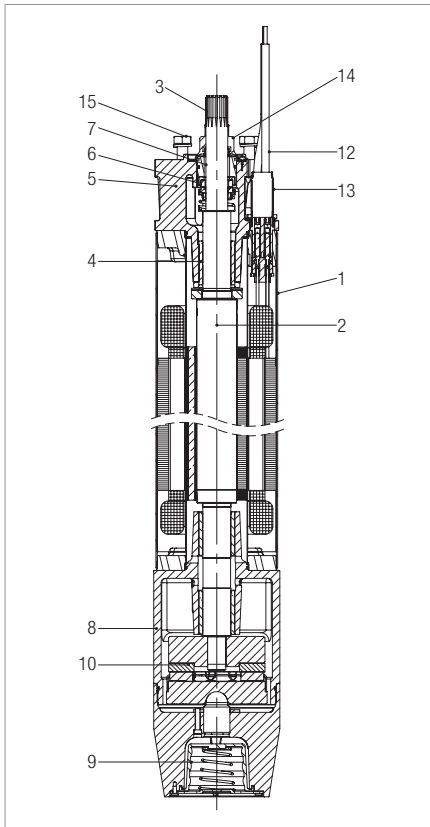
### CONSTRUCTION FEATURES OF THE MOTOR

Two pole asynchronous motor in AISI 304 stainless steel and cataphoresis treated cast iron for parts in contact with water. Cooling and lubrication of the thrust unit and bushings guaranteed by a mixture of water and glycol. Mitchell type self-centering thrust unit with 50kN axial load. The stator is filled with resin with high heat dissipation capacity. Removable cable connector. ACS, WRAS and KTW certified cable. Motor suitable for use with variable frequency drive (30 Hz - 50 Hz). The protection must be guaranteed by the user. Available with direct or star-delta start. It is available with additional PT100 or PTC temperature sensor.



# 6GF HEAVY DUTY

## 6" SUBMERSIBLE MOTORS

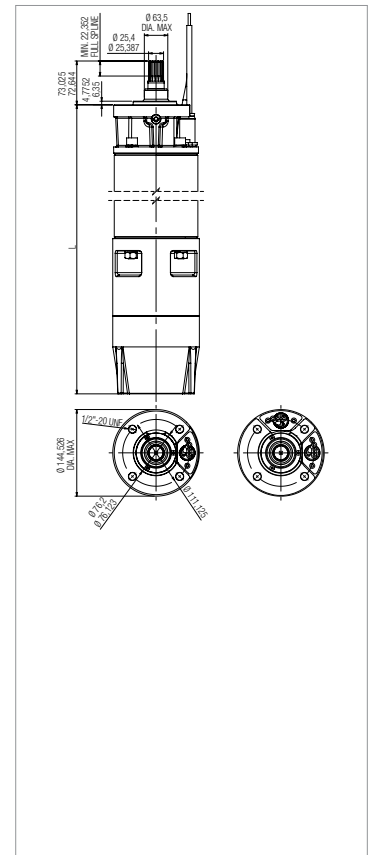


### MATERIALS

N°	PARTS	MATERIALS
1	EXTERNAL SLEEVE	STAINLESS STEEL EN 1.4307 - AISI 304L
2	SHAFT	STEEL ASTM A 105
3	SHAFT END	STAINLESS STEEL EN 1.4404 - AISI 316L
4	BUSHINGS	GRAPHITE
5	UPPER BRACKET	CAST IRON EN 0.6020 + CATAPHORESIS COATING
6	MECHANICAL SEAL	SIC - SIC
7	GASKET	NBR
8	LOWER BRACKETS	CAST IRON EN 0.6025 + CATAPHORESIS COATING
9	DIAPHRAGM	FKM
10	THRUST BEARING	CERAMIC - GRAPHITE
11	VALVE	BRASS CW614N
12	CABLE EU	FLAT - 07XBH2-F
	CABLE US	RHW-2 OR RHW OR RHH 600V
13	CONNECTING PLUG	STAINLESS STEEL EN 1.4301 - AISI 304
14	SAND GUARD	NBR 70
15	BOLTS & SCREWS	STEEL A2-70 - AISI 304
16	COOLING LIQUID	WATER + GLYCOL

### DIMENSIONS

MODEL	LENGTH mm	MOTOR DIAMETER mm	AXIAL THRUST N	WEIGHT Kg	PACKING DIMENSIONS mm		
					L	B	H
6GF - 22 KW - HD	1017	144	50000	97	1398	188	339
6GF - 30 KW - HD	1147	144	50000	107	1398	188	339
6GF - 37 KW - HD	1277	144	50000	120	1398	188	339
6GF - 45 KW - HD	1457	144	50000	139	1628	188	339



### ELECTRICAL DATA

MODEL	P2		VOLTAGE 50 Hz	IN (A)	Is/In	P1 (W)	rpm	MOTOR EFFICIENCY			POWER FACTOR			CABLE	
	(HP)	kW						$\eta$ (Eff.) [%] at % load			cos $\phi$ (Pf.) at % load			$\emptyset$ mm <sup>2</sup>	LC (m)
								50	75	100	50	75	100		
6GF - 22 KW - HD	30	22	3 x 400V ~	47	5,1	26500	2825	80	82	83	0,66	0,77	0,84	4X6	4
6GF - 30 KW - HD	40	30	3 x 400V ~	61,5	4,6	35500	2830	81	83	85	0,65	0,77	0,85	4X8	4
6GF - 37 KW - HD	50	37	3 x 400V ~	79,3	3,7	45000	2830	78	80	82	0,68	0,79	0,84	4X8	6
6GF - 45 KW - HD	60	45	3 x 400V ~	95	5,5	55000	2840	80	81	82	0,66	0,77	0,83	4X10	6

# DNA<sup>®</sup>

## PUMPS SELECTOR



# On-line product selection



#### DAB PUMPS LTD.

6 Gilbert Court  
Newcomen Way  
Severalls Business Park  
Colchester  
Essex  
CO4 9WN - UK  
salesuk@dwtgroup.com  
Tel. +44 0333 777 5010



#### DAB PUMPS IBERICA S.L.

Calle Verano 18-20-22  
28850 - Torrejón de Ardoz - Madrid  
Spain  
Info.spain@dwtgroup.com  
Tel. +34 91 6569545  
Fax: + 34 91 6569676



#### DAB PUMPS SOUTH AFRICA (PTY) LTD

Twenty One industrial Estate,  
16 Purlin Street, Unit B, Warehouse 4  
Olifantsfontein -1666 - South Africa  
info.sa@dwtgroup.com  
Tel. +27 12 361 3997



#### DAB PUMPS BV

\*Hofveld 6 C1  
1702 Groot Bijgaarden - Belgium  
info.belgium@dwtgroup.com  
Tel. +32 2 4668353



#### DAB PUMPS HUNGARY KFT.

H-8800  
Nagykanizsa, Buda Ernő u.5  
Hungary  
Tel. +36 93501700



#### DAB PUMPS (QINGDAO) CO. LTD.

No.40 Kaituo Road, Qingdao Economic & Technological  
Development Zone  
Qingdao City, Shandong Province - China  
PC: 266500  
sales.cn@dwtgroup.com  
Tel. +86 400 186 8280  
Fax +86 53286812210



#### DAB PUMPS POLAND Sp. z o.o.

Ul. Janka Muzykanta 60  
02-188 Warszawa - Poland  
polska@dabpumps.com.pl



#### DAB PUMPS DE MÉXICO, S.A. DE C.V.

Av Amsterdam 101 Local 4  
Col. Hipódromo Condesa,  
Del. Cuauhtémoc CP 06170  
Ciudad de México  
Tel. +52 55 6719 0493



#### DAB PUMPS B.V.

Albert Einsteinweg, 4  
5151 DL Drunen - Nederland  
info.netherlands@dwtgroup.com  
Tel. +31 416 387280  
Fax +31 416 387299



#### OOO DAB PUMPS

Novgorodskaya str. 1, block G  
office 308, 127247, Moscow - Russia  
info.russia@dwtgroup.com  
Tel. +7 495 122 0035  
Fax +7 495 122 0036



#### DAB PUMPS OCEANIA PTY LTD

426 South Gippsland Hwy,  
Dandenong South VIC 3175 - Australia  
info.oceania@dwtgroup.com  
Tel. +61 1300 378 677



#### DAB PUMPS GMBH

Am Nordpark 3  
D - 41069 Mönchengladbach - Germany  
info.germany@dwtgroup.com  
Tel. +49 2161 47388-0  
Fax +49 2161 47388-36



#### DAB PUMPS INC.

3226 Benchmark Drive  
Ladson, SC 29456 - USA  
info.usa@dwtgroup.com  
Tel. 1- 843-797-5002  
Fax 1-843-797-3366



#### PT DAB PUMPS INDONESIA

Satrio Tower lantai 26  
unit C-D, Jl. Prof. Dr. Satrio Kav. C4,  
Kel. Kuningan Timur, Kec. Setiabudi, Kota Adm.  
Jakarta Selatan, Prov. DKI Jakarta. - Indonesia  
Tel. +62 2129222850